

# Airom

User manual



Thank you for purchasing the **Airom** aroma diffuser, an Air Naturel product. We hope that it will bring you complete satisfaction and improve your indoor air quality.

As with all electrical appliances, it is important to maintain the device properly in order to avoid any damage or injury. Please read these instructions carefully before switching the device on and keep them for future reference. Air Naturel accepts no liability for any damage that is caused by noncompliance with this instruction manual. The device is only to be used in the household for the intended purpose described in this instruction manual. Using the device for purposes other than the intended purpose or performing alterations to the device could be hazardous to your safety.

#### **IMPORTANT SAFETY INSTRUCTIONS**

**The children over the age of 8 could use the appliance, only under strict supervision of an adult; or, if they have learned about how the appliance function and been aware of the dangers which could occur in the using process. The appliance and the power cord must always be away from the children under the age of 8.**

**Cleaning and user maintenance shall not be made by children unless they are over the age of 8 and under the supervision of an adult.**

**Persons with reduced physical, sensory or mental capabilities or lack of experience and knowledge if they have been given supervision or instruction concerning use of the appliance by a responsible person who ensures their securities and understand the inherent risks**

Only connect the cable and plug to to an electrical socket for alternating current. Pay attention to the voltage information on the device.

The device must always be unplugged:

- before the device is moved to another position
- before the device is opened or when it is refilled with water
- in the case of malfunction
- before any cleaning
- after each use.

Never use an extension cable that has been damaged.

Never carry or pull the device by the power cable.

Penetrating the product housing with any kind of object is strictly prohibited.

If the supply cord is damaged, it must be replaced by a qualified person. Do not pull the power cable over sharp edges or allow it to become jammed.

Never remove the plug from the socket by pulling at the power cable and never remove it with wet hands.

Do not use this aroma diffuser in close proximity to a bath tub, shower or swimming pool (always ensure a minimum distance of 3m). Always place the device in a position where it cannot be reached by anyone in a bath tub, shower or swimming pool. Do not set up the device near a source of heat which could be direct or indirect (such as heat from hot oven hobs, naked flames, hot irons or heating furnaces).

Keep the power cable away from the essential oil. Ensure that the device is stable during operation and that no-one can trip over the power cable.

Do not store or use the device outdoors.

Store the device in a dry place, out of the reach of children (in its box).

Always unplug the device when it is to be refilled with water or cleaned.

Domestic injury prevention

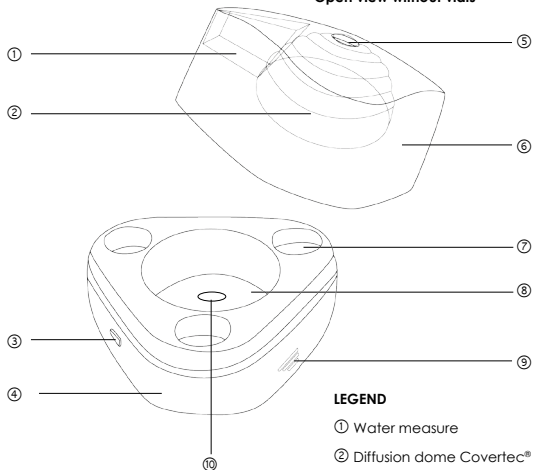
The safety of this product conforms to the relevant norms and regulations in force in the EU.

For any further information, please visit our website: [www.airnaturel.com](http://www.airnaturel.com)

Our customer service department is available at the following email address: [info@airnaturel.com](mailto:info@airnaturel.com)

# Airom

## Open view without vials



### LEGEND

- ① Water measure
- ② Diffusion dome Covertec®
- ③ Power switch On / off - Aromawave function
- ④ Appliance base
- ⑤ Air exit
- ⑥ Appliance cover
- ⑦ housings for essential oil's vials
- ⑧ Water tank
- ⑨ Air entrance
- ⑩ Ultrasonic plate

### Power and function control③



The power switch contains two functions: Left part switches on and switches off. Right part allows activation and deactivation of the Aromawave™ function. The light indicators will turn on while the device is in position of ON or the Aromawave function is activated.

See paragraph of STARTING AND OPERATING OPERATIONS.

### SPECIFICATIONS

Power of diffusion  
Dimensions  
Net weight  
Power consumption  
Tank capacity  
Suitable for rooms up to  
Noise level  
Ultrasonic Technology  
Autonomy, continuous use  
Autonomy, Aroma Wave use  
LED Lighting Yes

9-12 g/h  
111 x 157 x 157 mm (H x L x D)  
430 g  
6.2 W  
110 mL  
25 m<sup>2</sup>  
≤26 dB  
cold mist  
5 hours  
15 hours  
Equipped

## MISE EN MARCHE ET MODE D'EMPLOI

▲ When preparing the device for use, check that Aïrom is turned off.

- Pull off the cover of the appliance (6).
- Fill the inbuilt water measure inside the diffuser cover (1) with cold water. It offers a capacity of 75 ml which is exactly the maximum capacity of the tank(8).
- Pour the harvested water in the measure into the tank of the appliance(8).
- Add 3 to 10 essential oil drops.
- Replace the cover (6) and then plug the cord into an electrical socket.

**CAUTION:** NEVER EXCEED THE MAXIMUM FILLING LEVEL OF THE TANK.

- Power switch On / Off- AromaWave™ Function(3)

Press the left side of the power switch once to turn the device on. Then press the right side of the power switch to start the AromaWave™ function. (See "power switch focus" on the previous page)

After several seconds, Aïrom will begin to diffuse a fine scented mist.

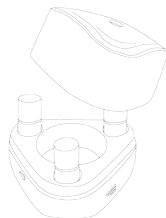
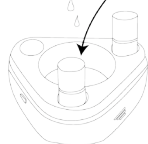
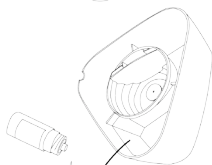
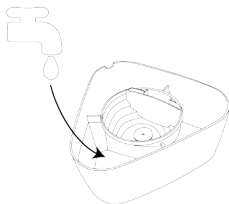
To switch off or deactivate the aroma diffuser: press the left side of the power switch once to turn the device off or press the right side of the power switch to deactivate the AromaWave™ function.

Aïrom will turn off automatically if the tank is empty.

- Aroma Wave™ Function

Alternating 10 minute diffusion followed by 20 minute pauses - for perfect balance.

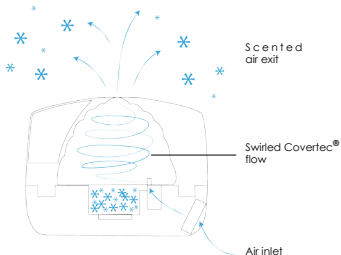
The AromaWave™ function ensures a beautifully scented atmosphere of scented molecules without overloading the air with excessive levels of your chosen aroma. It also ensures a lower consumption of essential oil. This interval mode means that the Aïrom aroma diffuser will function for the whole day (about 15 hours) versus about 5 hours of continuous use.



## Focus on the diffusion dome Covertec® ②

The patented technology of diffusion Covertec® (2) ensures a better diffusion with a perfect swirl dome form, allowing an optimal scented flow of essential oil.

### cross-sectional view



## MAINTENANCE

### Daily maintenance

- Do not leave the stagnant water in the tank while the device is not in function.
- Empty the water from the tank and rinse off with clear water in order to remove any eventual essential oil or scale deposit.
- Dry the tank with absorbent tissue.

### Monthly Maintenance

- Fill the tank with water added with a small quantity of white vinegar. Leave for 15 minutes and then drain, rinse and dry with absorbent tissue.
- Dry the ultrasonic plate, clean it with a soft brush and wipe it with a soft tissue.
- For more information about the maintenance of Aïrom, see our blog: [www.lebienairchezsoi.com](http://www.lebienairchezsoi.com)

## PRECAUTIONS

- Never exceed maximum filling level of the tank; it will cause damage to the electronics

of the device.

- Do not use solvents or abrasive products when cleaning the device.
- Do not leave stagnant water in the device in order to extend its operational life and to prevent and bacterial proliferation.

## STORAGE

- Clean as previously recommended with a white vinegar-based solution. Let the appliance dry.
- Store in a dry place, preferably in its original packaging. Avoid high temperatures. The storage of essential oil's bottles in the device is ideal: they are prevented from UV radiations, which susceptible alert their virtues or smells, and remain, in the meanwhile, handy of an ergonomics optimized.

## ACCESSORIES

### Essential oils

In order to make the most of your Aïrom, try our 100% organic essential oil: Anti Stress, Serene Sleep, Pure Air, Relax and Breathe, Jardin Bio, Berlingot.

## INSTRUCTION ON THE USE OF AIR NATUREL'S ESSENTIAL OILS

### HOW TO USE

Essential oil of Air Naturel is exclusively reserved for usage of aroma diffusion.

### CAUTION OF USE

Do not swallow - Avoid any contact with eyes - Flammable - To be used in atmospheric diffusion only via a diffuser - Do not use for more than 5 min in a child's room - Do not use with pregnant or breast-feeding women and with children below 3 years. Keep away from children. In case of pathologies, it is difficult to prove that there are no correlations between some oils and any ongoing medical treatment. In case of absorption, contact the closest poisons unit.

### STORAGE

Essential oils are particularly fragile and volatile; they must be kept in blocked bottles, sheltered from air and from light. Best before: see the product label.

### COMPOSITION

see sticker on product

