

EN

ORIGINAL INSTRUCTIONS
AIR CLEANER



Table of contents

Notes regarding the instructions 2

Safety 2

Information about the device 4

Transport and storage 5

Assembly and start-up 6

Operation 9

Available accessories 9

Errors and faults 9

Maintenance 10

Technical annex 10

Disposal 12

Declaration of conformity 12

Notes regarding the instructions

Symbols



Warning of electrical voltage

This symbol indicates dangers to the life and health of persons due to electrical voltage.



Warning

This signal word indicates a hazard with an average risk level which, if not avoided, can result in serious injury or death.



Caution

This signal word indicates a hazard with a low risk level which, if not avoided, can result in minor or moderate injury.

Note

This signal word indicates important information (e.g. material damage), but does not indicate hazards.



Info

Information marked with this symbol helps you to carry out your tasks quickly and safely.



Follow the manual

Information marked with this symbol indicates that the instructions must be observed.

You can download the current version of the instructions and the EU declaration of conformity via the following link:



TAC 750 E



<https://hub.trotec.com/?id=42767>

Safety

Read this manual carefully before starting or using the device. Always store the manual in the immediate vicinity of the device or its site of use!



Warning

Read all safety warnings and all instructions.

Failure to follow the warnings and instructions may result in electric shock, fire and / or serious injury.

Save all warnings and instructions for future reference.

This appliance can be used by children aged from 8 years and above and persons with reduced physical, sensory or mental capabilities or lack of experience and knowledge if they have been given supervision or instruction concerning use of the appliance in a safe way and understand the hazards involved.

Children shall not play with the appliance. Cleaning and user maintenance shall not be made by children without supervision.

- Do not use the device in potentially explosive rooms.
- Do not use the device in aggressive atmosphere.
- Set the device up in an upright and stable position.
- Let the device dry out after a wet clean. Do not operate it when wet.
- Do not use the device with wet or damp hands.
- Do not expose the device to directly squirting water.
- Never insert any objects or limbs into the device.
- Do not cover or transport the device during operation.
- Do not sit on the device.
- This appliance is not a toy! Keep away from children and animals. Do not leave the device unattended during operation.
- Check accessories and connection parts for possible damage prior to every use of the device. Do not use any defective devices or device parts.

- Ensure that all electric cables outside of the device are protected from damage (e.g. caused by animals). Never use the device if electric cables or the power connection are damaged!
- The electrical connection must correspond to the specifications in chapter Technical data.
- Insert the mains plug into a properly secured mains socket.
- Observe the technical data when selecting extensions to the power cable. Completely unroll the extension cable. Avoid electrical overload.
- Before carrying out maintenance, care or repair work on the device, remove the mains plug from the mains socket. Hold onto the mains plug while doing so.
- Switch the device off and disconnect the power cable from the mains socket when the device is not in use.
- Do not under any circumstances use the device if you detect damages on the mains plug or power cable. If the supply cord is damaged, it must be replaced by the manufacturer, its service agent or similarly qualified persons in order to avoid a hazard. Defective power cables pose a serious health risk!
- When positioning the device, observe the minimum distances from walls and other objects as well as the storage and operating conditions specified in the Technical data chapter.
- Make sure that the air inlet and outlet are not obstructed.
- Make sure that there are no loose items or dirt located in the immediate surroundings of air inlet and air outlet.
- Do not remove any safety signs, stickers or labels from the device. Keep all safety signs, stickers and labels in legible condition.
- Make sure that the suction side is kept free of dirt and loose objects.
- Dispose of replaced filters properly, especially after filtering substances hazardous to health (e.g. asbestos or spray paint mists)
- Never use the device as storage place or footstep.

Intended use

Only use the device to clean atmospheric air from non-conducting and non-combustible dusts, fogs or suspended matter whilst using the appropriate filter classes and adhering to the technical data.

Improper use

- Do not place the device on wet or flooded ground.
- Do not place any objects, e.g. clothing, on the device.
- Do not use the device outdoors.
- Do not use the device to siphon off vapours or fluids.
- Any operation other than as described in this manual is prohibited. Non-observance renders all claims for liability and guarantee null and void.
- Any unauthorised modifications, alterations or structural changes to the device are forbidden.

Personnel qualifications

People who use this device must:

- be aware of the dangers that occur when working with electrically driven air cleaners.
- have read and understood the instructions, especially the Safety chapter.

Electrically skilled person

Electrically skilled personnel must be able to read and understand electric circuit diagrams, to put electrical systems into service and to maintain them, to wire control cabinets, to ensure the functionality of electrical components and to identify possible hazards from electrical and electronic systems.

Instructed person

Instructed persons have been informed of the tasks they were entrusted with as well as of potential hazards resulting from inappropriate behaviour. They are allowed to operate and transport the device and perform simple maintenance activities (cleaning the housing, cleaning the fan).

The device is to be maintained and looked after by instructed personnel.

Residual risks



Warning of electrical voltage

Work on the electrical components must only be carried out by an authorised specialist company!



Warning of electrical voltage

Before any work on the device, remove the mains plug from the mains socket!
Hold onto the mains plug while pulling the power cable out of the mains socket.



Warning

Dangers can occur at the device when it is used by untrained people in an unprofessional or improper way! Observe the personnel qualifications!



Warning

The device is not a toy and does not belong in the hands of children.



Warning

Risk of suffocation!
Do not leave the packaging lying around. Children may use it as a dangerous toy.



Caution

Risk of injury from parts being whirled up!
Before switching the device on, make sure that there are no loose parts (clothing, hair ...) located near the air inlet or outlet!

Note

Do not operate the device without an inserted air filter! Without the air filter, the inside of the device will be heavily contaminated. This could reduce the performance and result in damage to the device.

Note

Do not use abrasive cleaners or solvents to clean the device.

Behaviour in the event of an emergency

1. Switch off the device.
2. In an emergency, disconnect the device from the mains feed-in: Hold onto the mains plug while pulling the power cable out of the mains socket.
3. Do not reconnect a defective device to the mains.

Information about the device

Device description

Air cleaners are used to filter the room air. On building sites and renovation areas high concentrations of dust can arise, for instance when using angle grinders or during blasting, chiselling or demolition operations as well as when mixing dry mortar or tile cement.

Depending on the inserted filter, the air cleaners of the TAC series serve to eliminate various dusts, e.g. from asbestos, building rubble, quartz, flour, wood, etc., but also mould spores, paint particles and mineral fibres in the air, possibly arising during the above-mentioned operations.

This dust is to be vacuumed off as close as possible to the point of origin in order to reduce the pollution of the breathing air to a minimum. Depending on the used filter quality it is permissible to employ the device for the separation of quartziferous mineral dusts, wood dust, lead-containing dusts, artificial mineral fibres or high-temperature fibres.

Application as vacuum generator for mould remediation and asbestos abatement is also a possibility. In case of other hazardous substances there are additional requirements; hence observe the corresponding Technical Rules for Hazardous Substances (TRGS) or the country-specific regulations.

The device is suited for:

- producing a vacuum in a room, e.g. in heavily contaminated spaces;
- air purification in workspaces via air circulation, e.g. indoor building sites, workshops etc.;
- producing overpressure in a room, e.g. cleanroom;
- supplying filtered fresh air.

The device is structured as follows:

- housing with stacking aid
- adjustable fan for air transport
- filter monitoring for air volume flow

The device may be equipped with various filters. It provides the user with the possibility of configuring both the filter quality and the filter chain arrangement for the respective field of application. The filters must be selected according to the area of application.

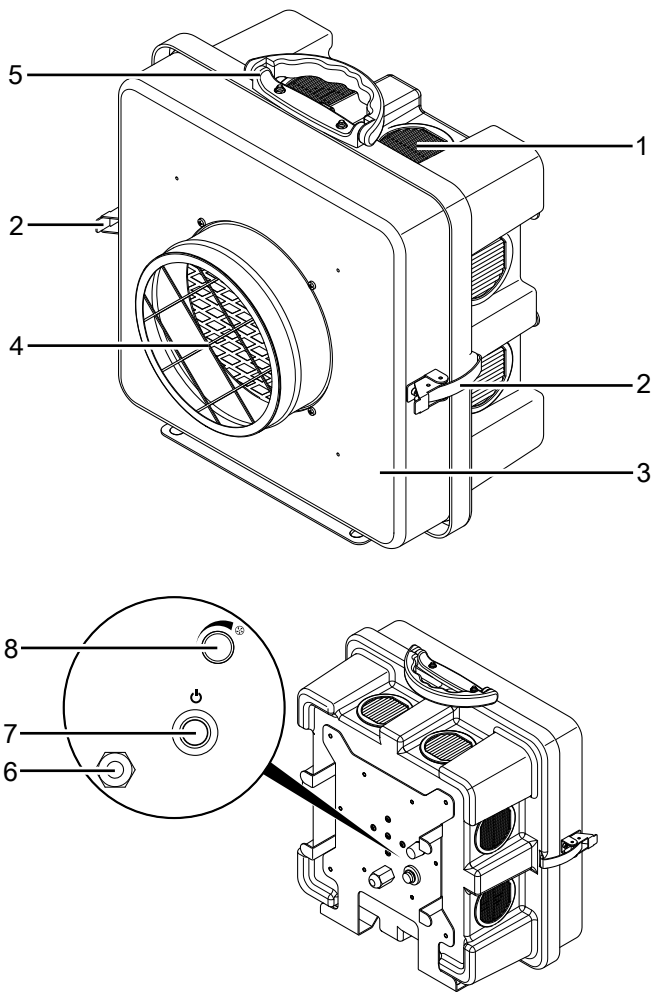
The device is approvable for asbestos abatement as per TRGS 519, dust class H.



Info

The filters are not included in the scope of delivery! Choose the filters according to the area of application from our filter range. Insert the selected filters prior to initial start-up.

Device depiction



No.	Designation
1	air outlet opening
2	tension lock
3	front cover
4	air inlet opening
5	transport handle
6	power cable connection
7	<i>power</i> button
8	<i>air volume</i> control dial

Transport and storage

Note

If you store or transport the device improperly, the device may be damaged.

Note the information regarding transport and storage of the device.

Transport

Before transporting the device, observe the following:

- Switch off the device.
- Hold onto the mains plug while pulling the power cable out of the mains socket.

After transporting the device, observe the following:

- Set up the device in an upright position after transport.

Storage

When the device is not being used, observe the following storage conditions:

- dry and protected from frost and heat
- in an upright position where it is protected from dust and direct sunlight
- with a cover to protect it from invasive dust, if necessary

Assembly and start-up

Scope of delivery

- 1 x Device
- 1 x Manual

Unpacking the device

1. Open the cardboard box and take the device out.
2. Completely remove the packaging.
3. Fully unwind the power cable. Make sure that the power cable is not damaged and that you do not damage it during unwinding.

Assembly

Inserting the filters

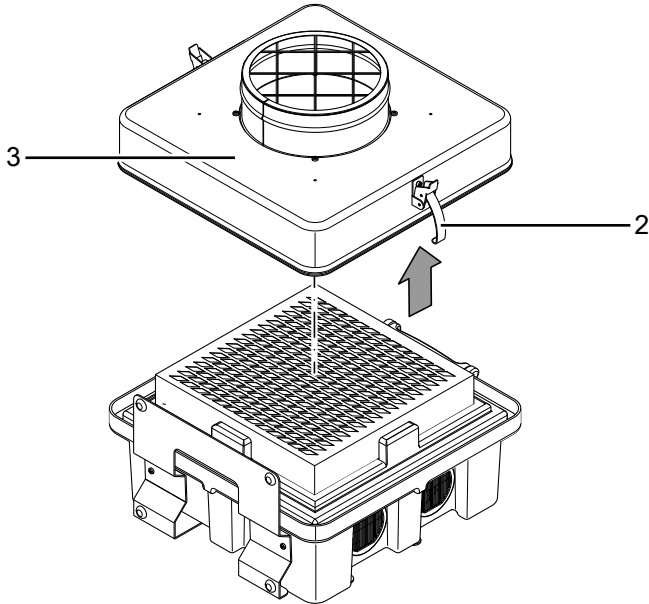


Info

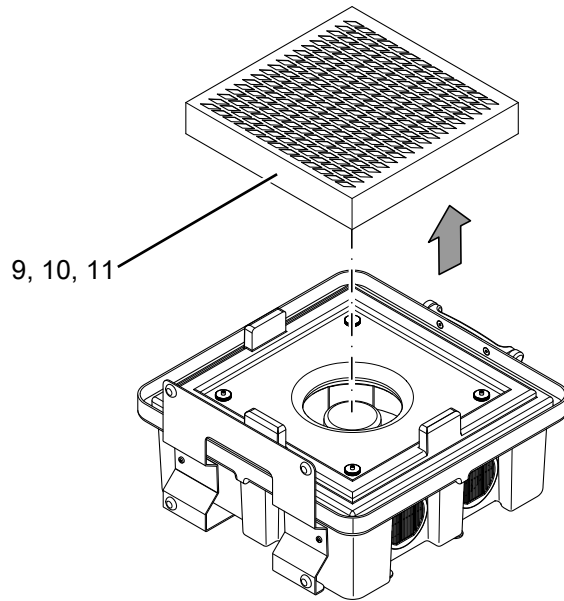
The filters are not included in the scope of delivery! Choose the filters according to the area of application from our filter range. Insert the selected filters prior to initial start-up.

Prior to start-up the filter chain of the device must be configured according to the desired field of application.

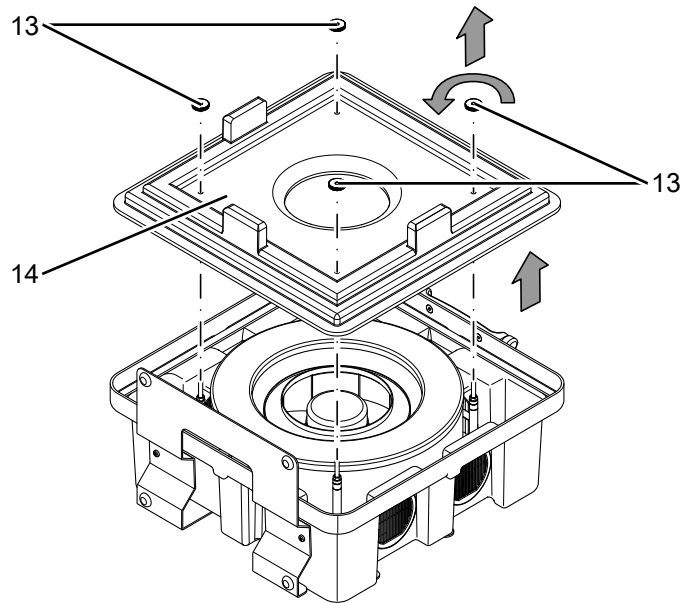
1. Open the tension locks (2) on both sides of the device.
2. Remove the front cover (3).



4. If installed, remove the coarse or fine filters (9, 10, 11) from the device.

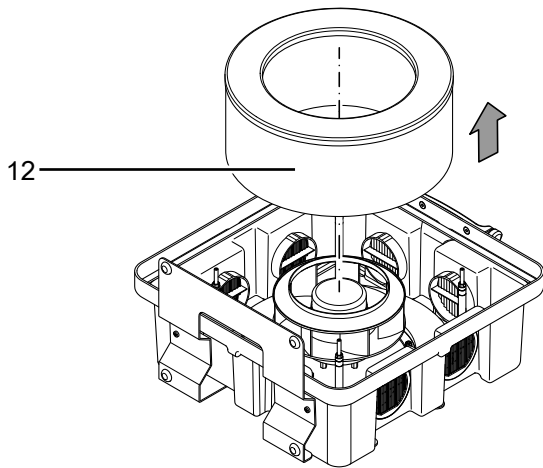


5. Loosen the knurled screws (13) and remove the filter frame (14) from the device.

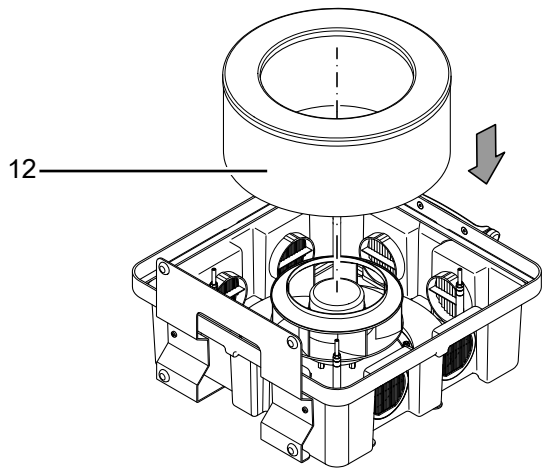


3. For all filter installations always observe the correct flow direction according to the direction of the air current (air flow direction: from back to front)!

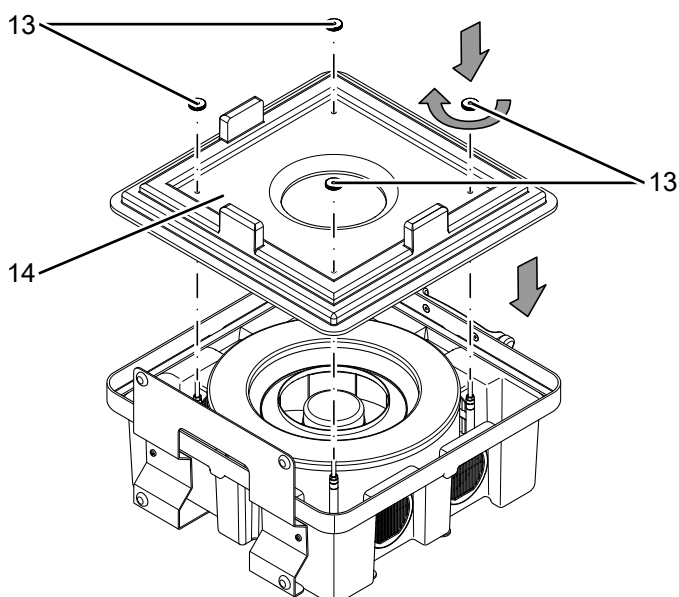
6. If installed, remove the HEPA filters (12) from the device.



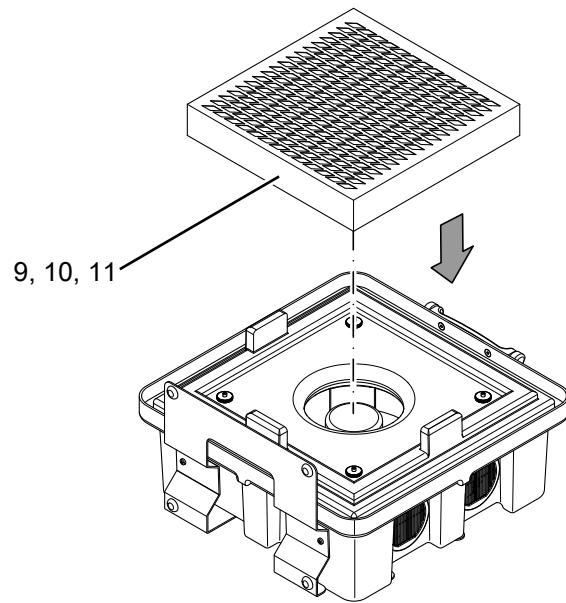
7. Insert the HEPA filter (12) into the device.



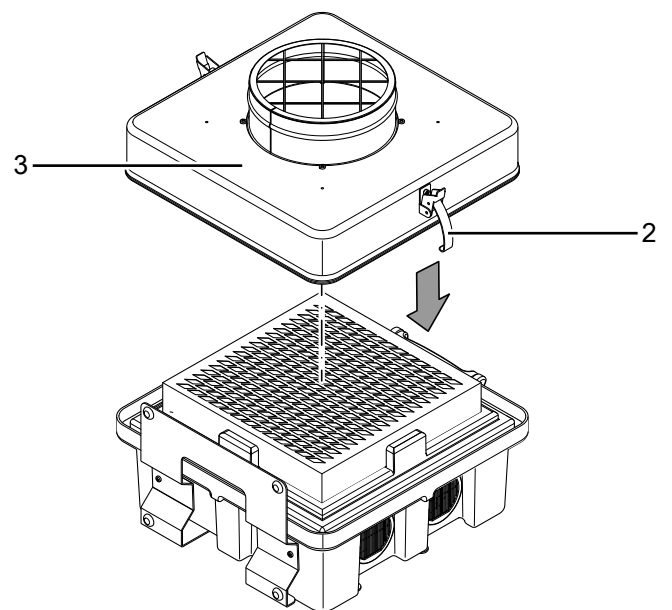
8. Put the filter frame (14) back into the device and tighten the knurled screws (13).



9. Insert a new coarse or fine filter (9, 10, 11) into the device.

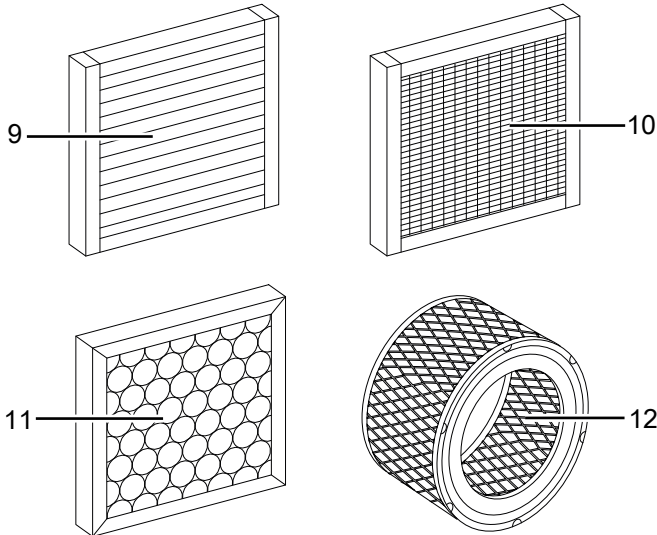


10. Reassemble the front cover (3) and close the tension locks (2).



Filter types (not included in the scope of delivery)

The designated air filters are especially geared to these devices and come with the largest possible filter surface based on the geometric dimensions. This ensures maximum air flow rate and service life for safe operation.



No.	Designation
9	Z-line filter G4
10	pleated filter F7
11	G3 spray paint filter
12	H13 high-efficiency particulate air filter (HEPA)

Note

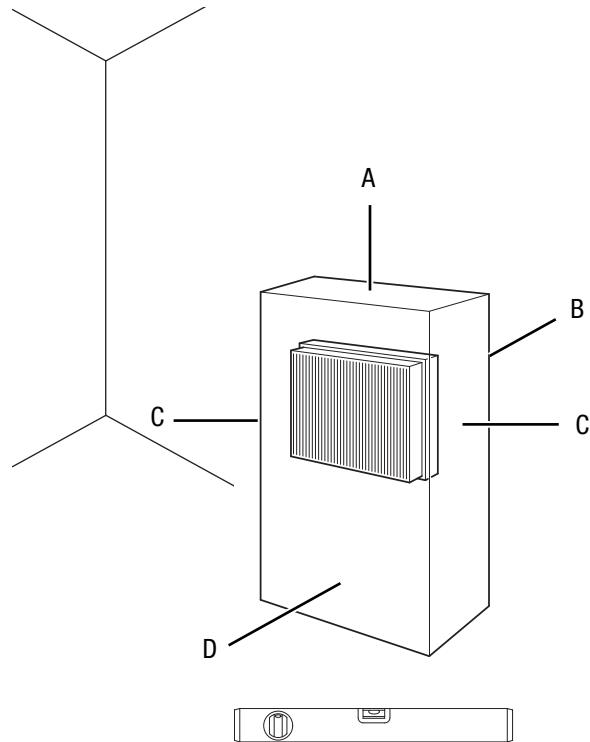
Please note that only one prefilter (9, 10, 11) can be implemented in the device at a time. Operation without prefilter is not advisable, for otherwise the fan could be damaged and the lifetime of the high-efficiency particulate air filter (14) is reduced.

Filter ladder and configuration depend on the pollutant particle size, filtration efficiency and the field of application. The filter technology is monitored by a sensor.

The fan and filter arrangement in the device corresponds to the general configuration for the air filtration of coarse dusts and fine particulates or the separation of suspended matter according to EN 60335-2-69 up to dust class H. Here the filtration of dust particles and other suspended material harmful and hazardous to health has priority. The filter chain must be operated in a vacuum, i.e. with a terminal fan.

Start-up

When positioning the device, observe the minimum distance from walls or other objects as described in the Technical data chapter.



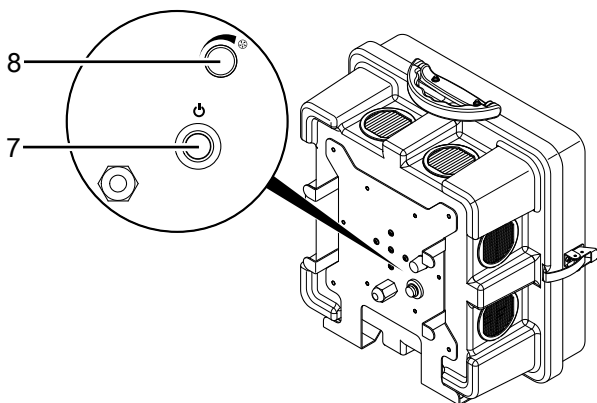
- Before restarting the device, check the condition of the power cable. If there are doubts as to the sound condition, contact the customer service.
- Set the device up in an upright and stable position.
- Do not create tripping hazards when laying the power cable or other electric cables, especially when positioning the device in the middle of the room. Use cable bridges.
- Make sure that extension cables are completely unrolled.
- Position the device near the source of air contamination.
- When positioning the device, keep a sufficient distance to heat sources.
- Make sure that no curtains or other objects interfere with the air flow.
- Make sure that the air inlet and outlet are not obstructed.

Connecting the power cable

- Insert the mains plug into a properly secured mains socket.

Operation

Operating elements



No.	Designation	Meaning
7	<i>power</i> button	For switching the device on and off
8	<i>air volume</i> control dial	For setting the desired air volume

Switching the device on

Once you have positioned the device as described in the Start-up chapter, you can switch it on.

1. Ensure that air inlet and outlet are not covered.
2. Turn the *air volume* control dial (8) counter-clockwise to the lowest air volume.
3. Press the *power* button (7).
⇒ The *power* button (7) lights up.

Adjusting the air volume

By use of the infinitely variable air flow regulation you can adjust the fan speed and thus regulate the air flow rate of the device.

1. To increase the air volume, turn the *air volume* control dial (8) clockwise.
2. To decrease the air volume, turn the *air volume* control dial (8) counter-clockwise.

Shutdown



Warning of electrical voltage

Do not touch the mains plug with wet or damp hands.

- Switch off the device.
- Hold onto the mains plug while pulling the power cable out of the mains socket.
- Clean the device according to the Maintenance chapter.
- Store the device according to the Storage chapter.

Available accessories



Warning

Only use accessories and additional equipment specified in the instructions. Using insertion tools or accessories other than those specified in the instructions may cause a risk of injury.

Designation	Article number
G3 spray paint filter	7.160.000.416
G4 Z-line filter	7.160.000.404
F7 pleated filter cartridge	7.160.000.409
H13 high-efficiency particulate air filter (HEPA)	7.160.000.220
Air transport hose Tronect SP-T 203	6.100.001.200
Hose/pipe adapter (Ø123)	6.100.010.010
Air transport hose Tronect TF-L 127	6.100.001.120

Errors and faults

The device has been checked for proper functioning several times during production. If malfunctions occur nonetheless, check the device according to the following list.

The device does not start:

- Check the power connection.
- Check the power cable and mains plug for damages.
- Check the on-site fusing.
- Wait for 10 minutes before restarting the device. If the device is not starting, have the electricians checked by a specialist company or by Trotec.

The device is loud or vibrates:

- Check whether the device is set up in a stable and upright position.

The device gets very warm, is loud or loses power:

- Check the air inlets and air filters for dirt. Remove external dirt.

The device gives off an unpleasant odour:

- Smoke, e.g. dense tobacco smoke, may produce odours and contaminations in the air. Ventilate the room.

Note

Wait for at least 3 minutes after maintenance and repair work. Only then switch the device back on.

Your device still does not operate correctly after these checks?

Please contact the customer service. If necessary, bring the device to an authorized specialist electrical company or to Trotec for repair.

Maintenance

Activities required before starting maintenance



Warning of electrical voltage

Do not touch the mains plug with wet or damp hands.

- Switch the device off.
- Hold onto the mains plug while pulling the power cable out of the mains socket.



Warning of electrical voltage

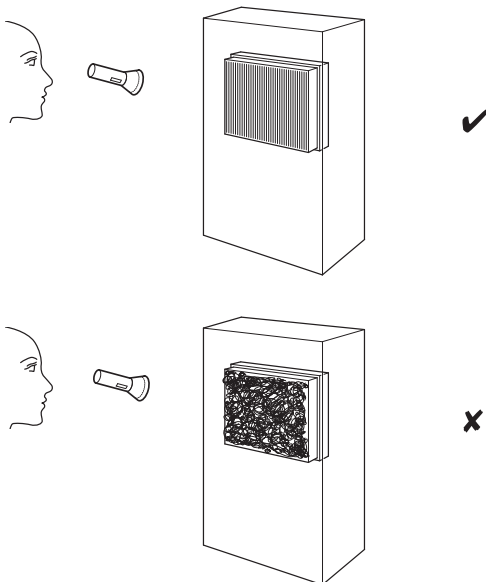
Tasks which require the housing to be opened must only be carried out by authorised specialist companies or by Trotec.

Cleaning the housing

Clean the housing with a soft, damp and lint-free cloth. Make sure that no moisture enters the housing. Protect electrical components from moisture. Do not use any aggressive cleaning agents such as cleaning sprays, solvents, alcohol-based or abrasive cleaners to dampen the cloth.

Visual inspection of the inside of the device for dirt

1. Remove the air filters.
2. Use a torch to illuminate the openings of the device.
3. Check the inside of the device for dirt.
4. If you see a thick layer of dust, clean the inside of the device with a vacuum cleaner.
5. Reinsert the air filters.



Cleaning the inside of the device

1. First remove the filters and the filter frame as described in the Inserting the filters section in the Assembly and start-up chapter.
2. Clean the inside of the device and the filter frame with a soft, damp and lint-free cloth. Make sure that no moisture enters the housing. Protect electrical components from moisture. Do not use any aggressive cleaning agents such as cleaning sprays, solvents, alcohol-based or abrasive cleaners to dampen the cloth.
3. Reinsert the filters and the filter frame into the device.

Changing the filter

The filter has to be replaced when it is heavily contaminated. This is brought to light e.g. by a reduced capacity.

If a filter needs to be replaced, please proceed as described in the Inserting the filters section in the Assembly and start-up chapter.

Technical annex

Technical data

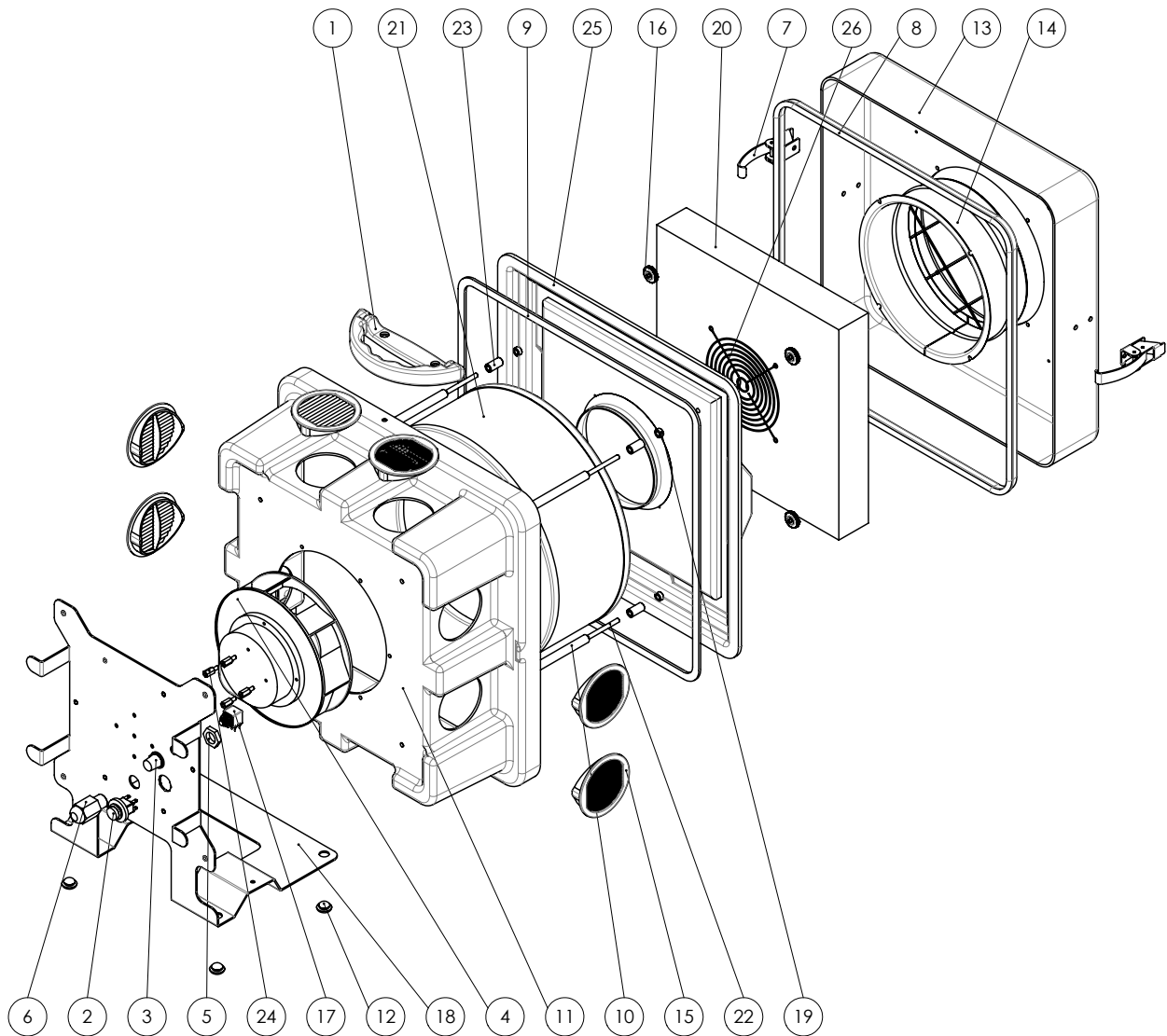
Parameter	Value
Model	TAC 750 E
Article number	1.580.000.101
Recommended amount of air for dust class H	290 m ³ /h
Dust class (as per DIN 60335-2-69)	Dust class H
Max. power input	0.12 kW
Mains connection	1/N/PE ~ 230 V / 50-60 Hz
Nominal current	1 A
Connection cable	CEE 7/7, 3 m cable length
Air transport hose connector inlet/outlet side	200 mm
Sound level (at a distance of 1 m)	77 dB(A)
Dimensions (length x width x height)	315 x 430 x 430 mm
Weight	6 kg

Spare parts drawing and list



Info

The position numbers of the spare parts differ from those describing the positions of the components mentioned in these instructions.



No.	Designation	Article number	No.	Designation	Article number
1	handle	P10001246	14	spigot	B1114
2	switch	P10001376	15	plug	B1140
3	rotary button	P10001250	16	nut	P10000371
4	fan	P10000576	17	potentiometer	P10001751
5	lock nut	P10001248	18	operating element	P10001827
6	cable bushing	P10001247	19	spacer sleeve	P10001697
7	spring tension element	P10000004	20	air filter	P10000619
8	gasket strip	P10000002	21	air filter	7160000220
9	gasket strip	P10000003	22	setscrew	P10000469
10	spacer sleeve	P10001827	23	spacer sleeve	P10001251
11	cover	P10001839	24	spacer sleeve	P10001555
12	rubber buffer	P10001843	25	sandwich plate	P10001826
13	base	P10001838	26	finger guard	P10000293

Disposal



The icon with the crossed-out waste bin on waste electrical or electronic equipment stipulates that this equipment must not be disposed of with the household waste at the end of its life. You will find collection points for free return of waste electrical and electronic equipment in your vicinity. The addresses can be obtained from your municipality or local administration. For further return options provided by us please refer to our website www.trotec24.com.

The separate collection of waste electrical and electronic equipment aims to enable the re-use, recycling and other forms of recovery of waste equipment as well as to prevent negative effects for the environment and human health caused by the disposal of hazardous substances potentially contained in the equipment.

Declaration of conformity

The text below sets out the contents of the declaration of conformity. The signed declaration of conformity can be found at <https://hub.trotec.com/?id=42767>.

Declaration of conformity

in accordance with the EC Machinery Directive 2006/42/EC,
Annex II, Part 1, Section A

Herewith, we – Trotec GmbH – declare that the machinery designated below was developed, constructed and produced in compliance with the requirements of the EC Machinery Directive in the version 2006/42/EC.

Product model / Product: TAC 750 E

Product type: air cleaner

Year of manufacture as of: 2019

Relevant EU directives:

Applied harmonised standards:

- EN ISO 12100:2010
- EN ISO 13849-1:2015
- EN ISO 13857:2008
- EN 55011:2009
- EN 60204-1:2006
- EN 60335-1:2012/AC:2014
- EN 60335-2-65:2003/A11:2012
- EN 61000-6-1:2007
- EN 61000-6-3:2007+A11:2011+AC:2012

Applied national standards and technical specifications:

- EN ISO 14118:2018
- EN 60335-2-65:2003/A1:2008

Manufacturer and name of the authorised representative of the technical documentation:

Trotec GmbH
Grebbeener Straße 7, D-52525 Heinsberg
Phone: +49 2452 962-400
E-mail: info@trotec.de

Place and date of issue:

Heinsberg, 29.07.2014

Detlef von der Lieck, Managing Director

Trotec GmbH

Grebener Str. 7
D-52525 Heinsberg

☎ +49 2452 962-400

☎ +49 2452 962-200

✉ info@trotec.com

www.trotec.com